



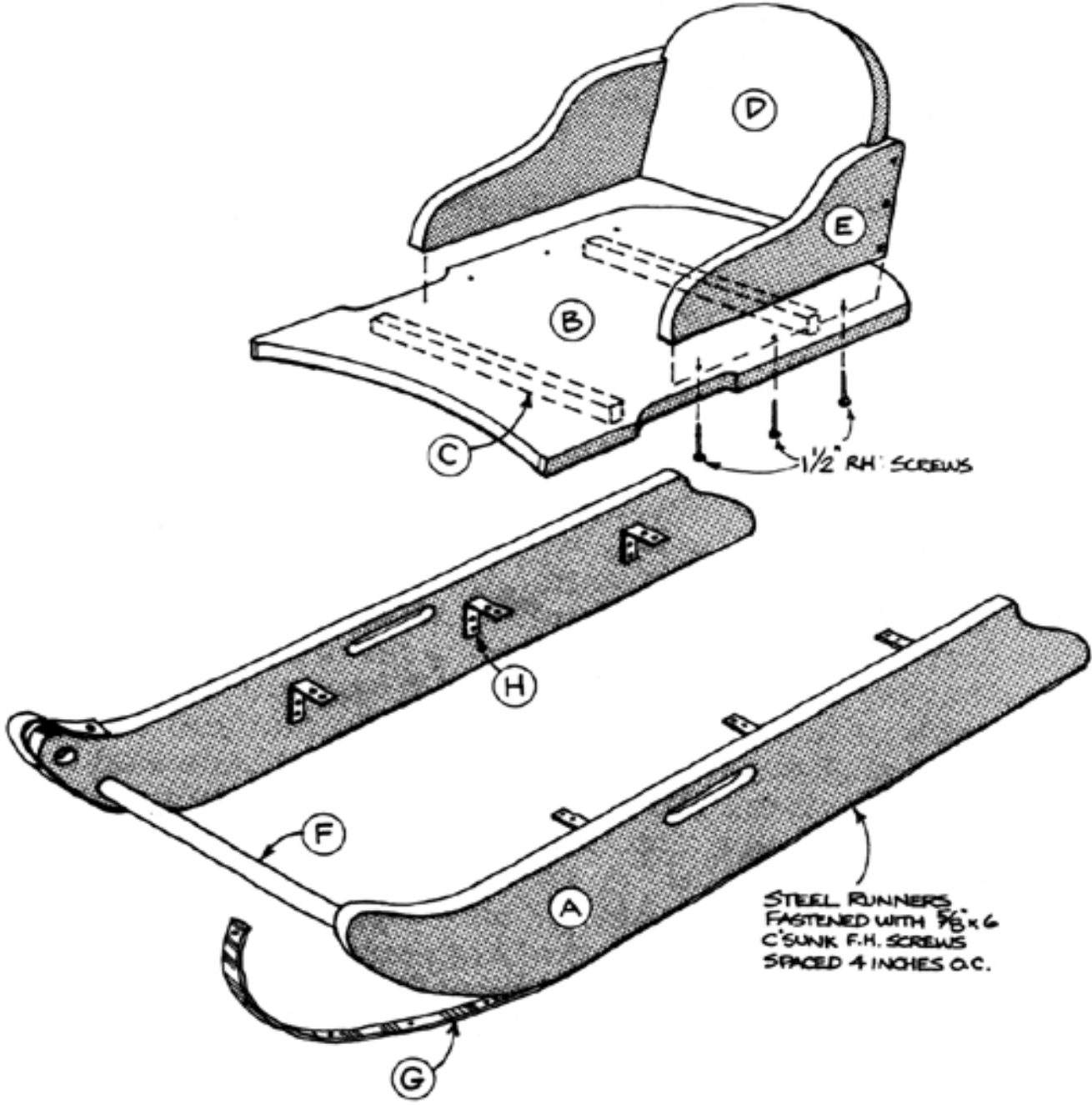
Project 19533EZ: Victorian Sled

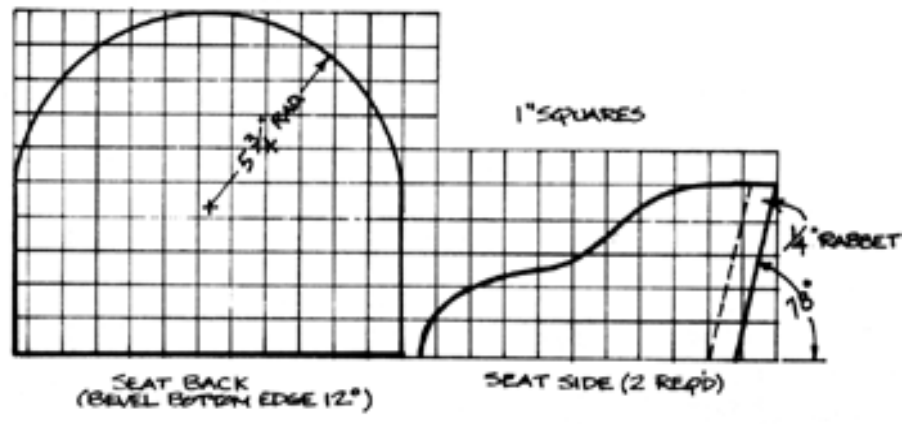
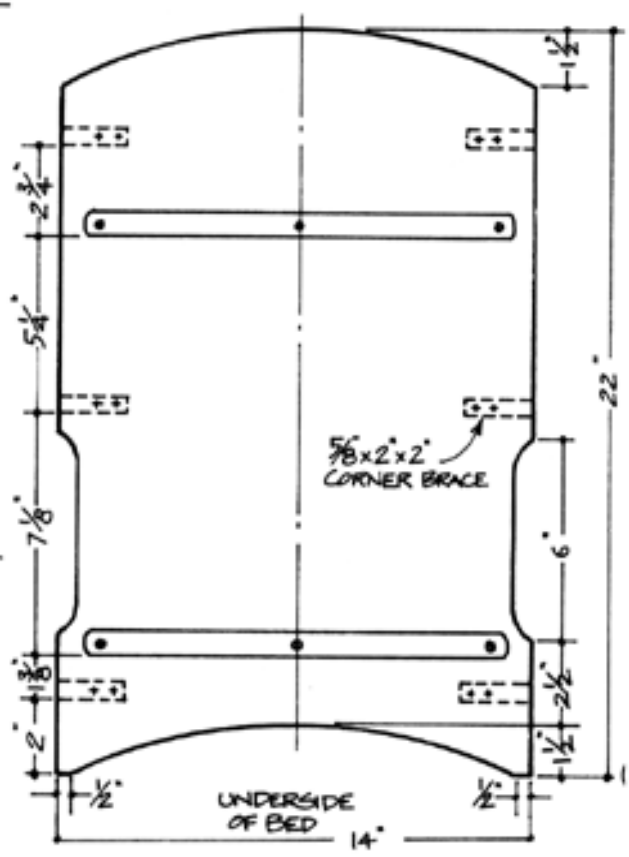
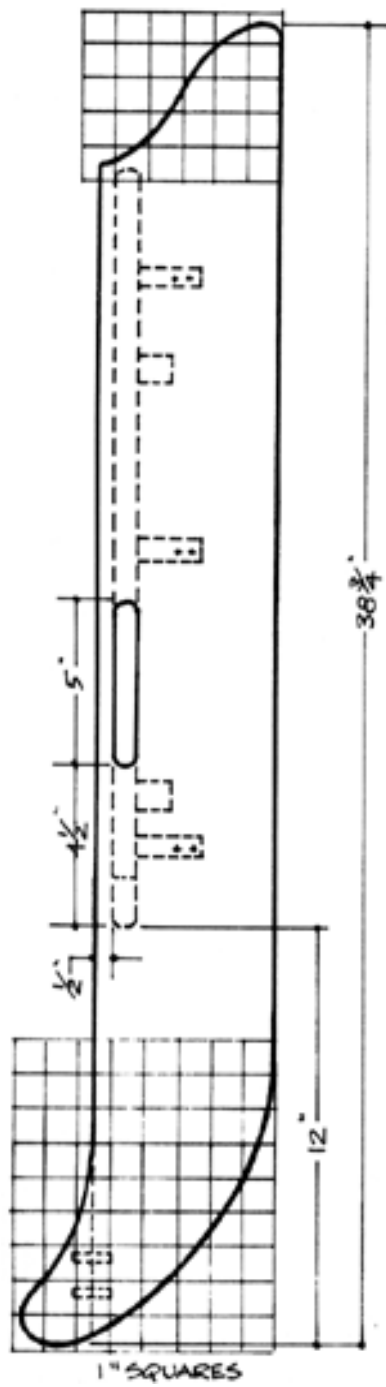
This sled from the 1880s is a bit of pure nostalgia and the perfect vehicle for a toddler's first winter snow ride. Unscrew the seat portion and bigger kids can have a lot of fun with it too, once they learn the knack of using their bodies to steer. The main parts should be made from a hardwood such as oak or maple.

Victorian Sled Materials List

Part	Size	No. Req'd
A	3/4" x 7-3/4" x 38-3/4"	2
B	3/4" x 14" x 22"	1
C	3/4" x 1" x 12-1/2"	2
D	3/4" x 11-1/2" x 10"	1
E	3/4" x 5" x 10-1/2"	2
F	1" x 14-3/4" Dowel	1
G	1/8" x 3/4" x 8' Steel	
H	5/8" x 2" x 2" Corner Brace	6

Victorian Sled Complete Schematic





Victorian Sled Step-by-Step Instructions

1. Lay out the pattern for the runners (A) on 8" wide boards.
2. Cut the runners (A), using a saber saw to cut the curves.
3. Lay out the hand slots.
4. Use a 3/4" auger to drill the ends.
5. Cut between the holes.
6. Bore 3/8" deep sockets for the 1" birch dowel.
7. Bend steel strap, available at hardware stores, to form a loop over each runner horn.
8. Drill, at 4" intervals, the holes to fasten the steel strap.
9. Drill the screws into the holes, countersinking each one.
10. Fasten the steel "shoes" with 5/8" x #6 FH screws.
11. Trim the shoes flush with the back ends of runners.
12. Edge-join two or three 3/4" boards to make the bed (B).
13. Lay out and cut the curves at each end and the notches, which are centered on the runner slots.
14. Screw the cleats (C) to the underside using 1-1/2" x #8 RH screws.
15. Cut the seat parts. **NOTE: The seat back is tilted and fits into a 1/4" rabbet in the sides.**
16. Join these seat parts with six 1-1/2" x # 6 FH screws.
17. Glue and bevel off the bottom edge of the back.
18. Sand all parts carefully, putting a generous radius on all upper edges.
19. Scribe a line 1-1/4" below the top edge of each runner to serve as a guide for locating the corner braces.
20. Fasten the corner braces with 3/4" x #6 FH screws.
21. Turn the sled upside down.
22. Add the front dowel.
23. Hold the bed between the runners with pipe clamps.
24. Screw the corner brackets to the bed.
25. Use 1-1/2" x #6 RH screws to fasten the seat on the bed center, about 4" from the back edge.
26. Leave the finish natural.
27. Apply two or three coats of urethane varnish to complete the project.

These plans were originally published in Volume 5, Issue 6 of *The Woodworker's Journal* (Nov./Dec. 1981, page 25).