

Space-Saver Workbench Plan No. 916

Copyright U-Build, Inc., 2000.
All rights reserved. Printed in the U.S.A.



If you're a do-it-yourselfer, here's a great way to maximize valuable shop space: a full-size, wall-mounted workbench that folds up into a neat, 13-inch-deep package. It even has space for a built-in light and plenty of storage shelves.

The workbench is as easy to use as it is to build. To close, fold the lightbox down, remove the cross braces from the legs, lift the benchtop and latch into place. Fold the legs into the bottom of the benchtop, shoot the bolt and slide the cross braces in behind the legs.

The project measures about 72 inches long by 34 inches deep by 74 inches tall. It folds up to about 72 inches long by 13 inches deep by 34 inches tall.

Bill of Material

Qty	Size	Material	Item
3	3/4" x 48" x 96"	plywood	A, B, D, F, H, J, L, M, O, R
1	3/4" x 5" x 72"	lumber of choice	C, E, G, I, K, N, P, Q
1	3/4" x 7" x 96"	lumber of choice	S, T
4	2" x 4" x 96"	lumber of choice	U, V, W
16	#8 x 2 1/2"	wood screws	
1 box	3/4"	finish nails	
1 box	1 1/4"	finish nails	
1 can		wood filler	
1 bottle		wood glue	
4	1 1/2" x 36"	piano hinges	
4	3"	butt hinges	
2		lid supports	
12	3/16"	shelf supports	
2		latches	
1	4"	barrel bolt	
4	3/8" x 3 1/2"	lag bolts	
1 quart		finish*	

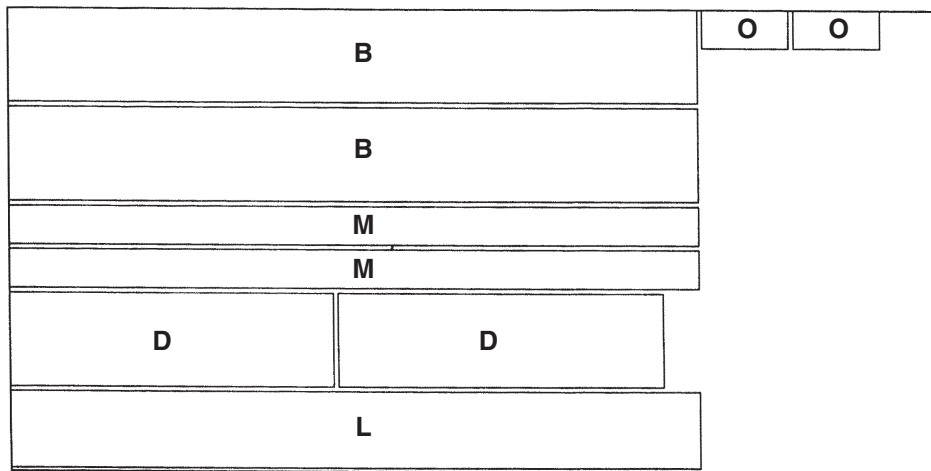
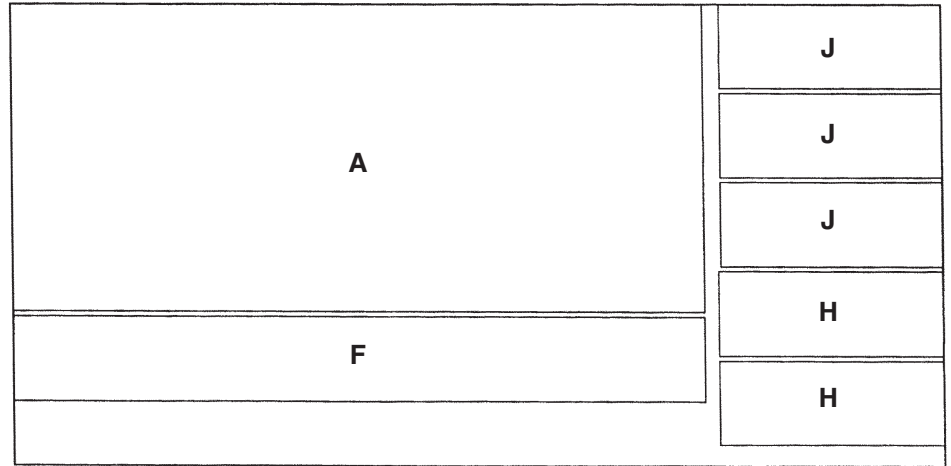
*We used a fast-drying polyurethane clear satin finish

Cutting Schedule

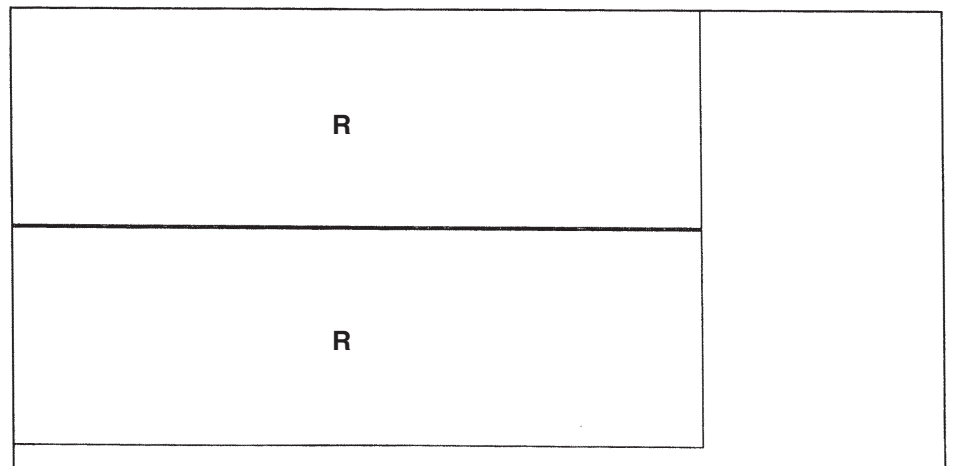
Item	Qty	T	W	L	Material
A	1	3/4"	32"	71 1/4"	plywood
B	2	3/4"	9 3/4"	71 1/4"	plywood
C	2	1/4"	3/4"	71 1/4"	lumber of choice
D	2	3/4"	9 3/4"	33 1/2"	plywood
E	2	1/4"	3/4"	33 1/2"	lumber of choice
F	1	3/4"	8 3/4"	71 1/4"	plywood
G	1	1/4"	3/4"	71 1/4"	lumber of choice
H	2	3/4"	8 3/4"	23 1/4"	plywood
I	2	1/4"	3/4"	23 1/4"	lumber of choice
J	3	3/4"	8 3/4"	23"	plywood
K	3	1/4"	3/4"	23"	lumber of choice
L	1	3/4"	7 7/8"	71 1/4"	plywood
M	2	3/4"	4"	71 1/4"	plywood
N	4	1/4"	3/4"	71 1/4"	lumber of choice
O	2	3/4"	4"	8 7/8"	plywood
P	4	1/4"	3/4"	4"	lumber of choice
Q	4	1/4"	3/4"	9 3/8"	lumber of choice
R	2	3/4"	22 1/2"	71 1/4"	plywood
S	2	3/4"	3"	71 1/4"	lumber of choice
T	2	3/4"	3"	24"	lumber of choice
U	4	1 1/2"	3 1/2"	34"	lumber of choice
V	4	1 1/2"	3 1/2"	21"	lumber of choice
W	2	1 1/2"	3 1/2"	74"	lumber of choice

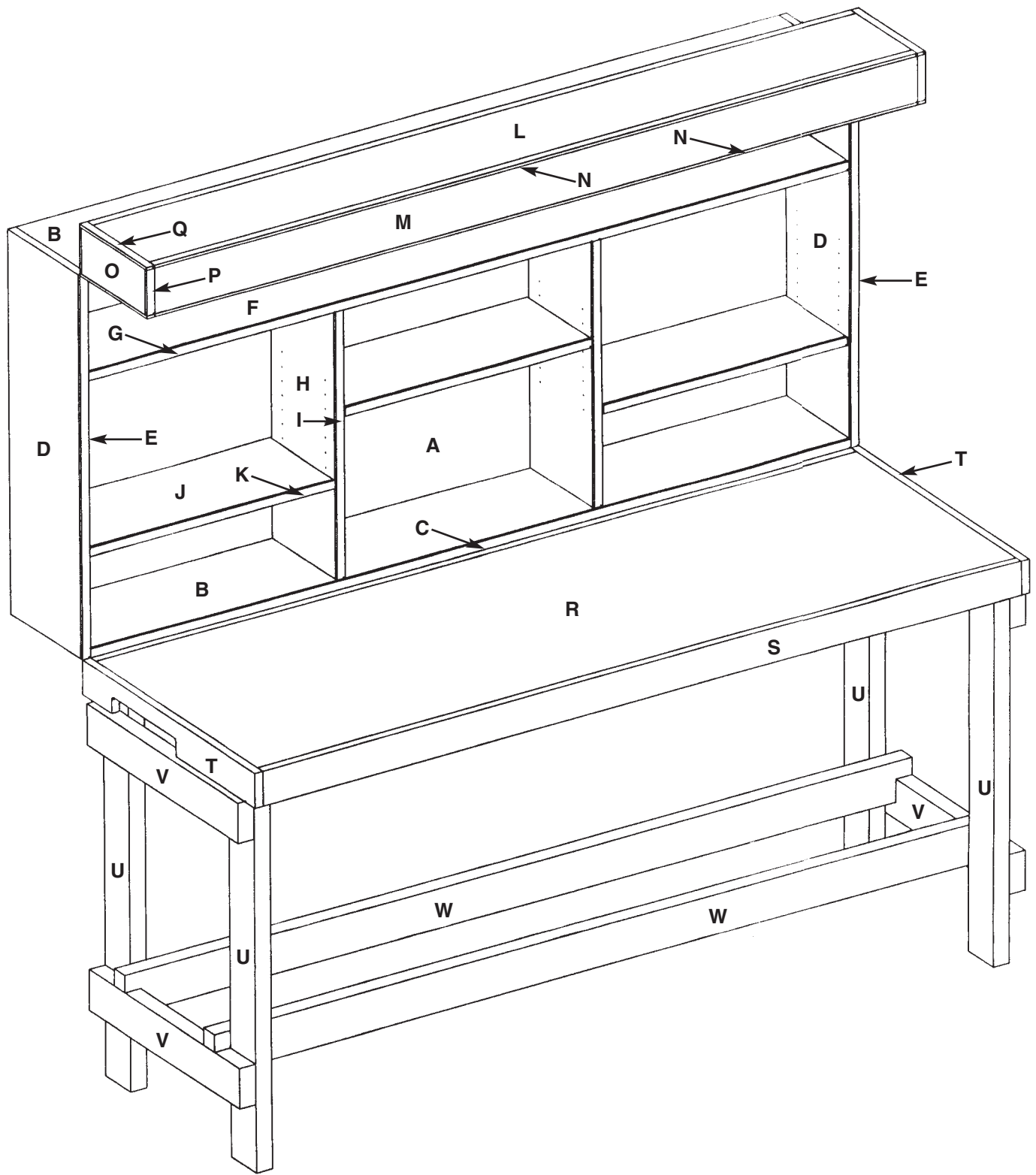
NOTES

1. Read all instructions and check materials before beginning work.
2. Read manufacturer's instructions before operating equipment.
3. *Always* wear safety glasses.
4. We used maple for this project, but almost any wood may be substituted.



3/4" x 48" x 96"
Plywood Cutting Layouts





Pictorial

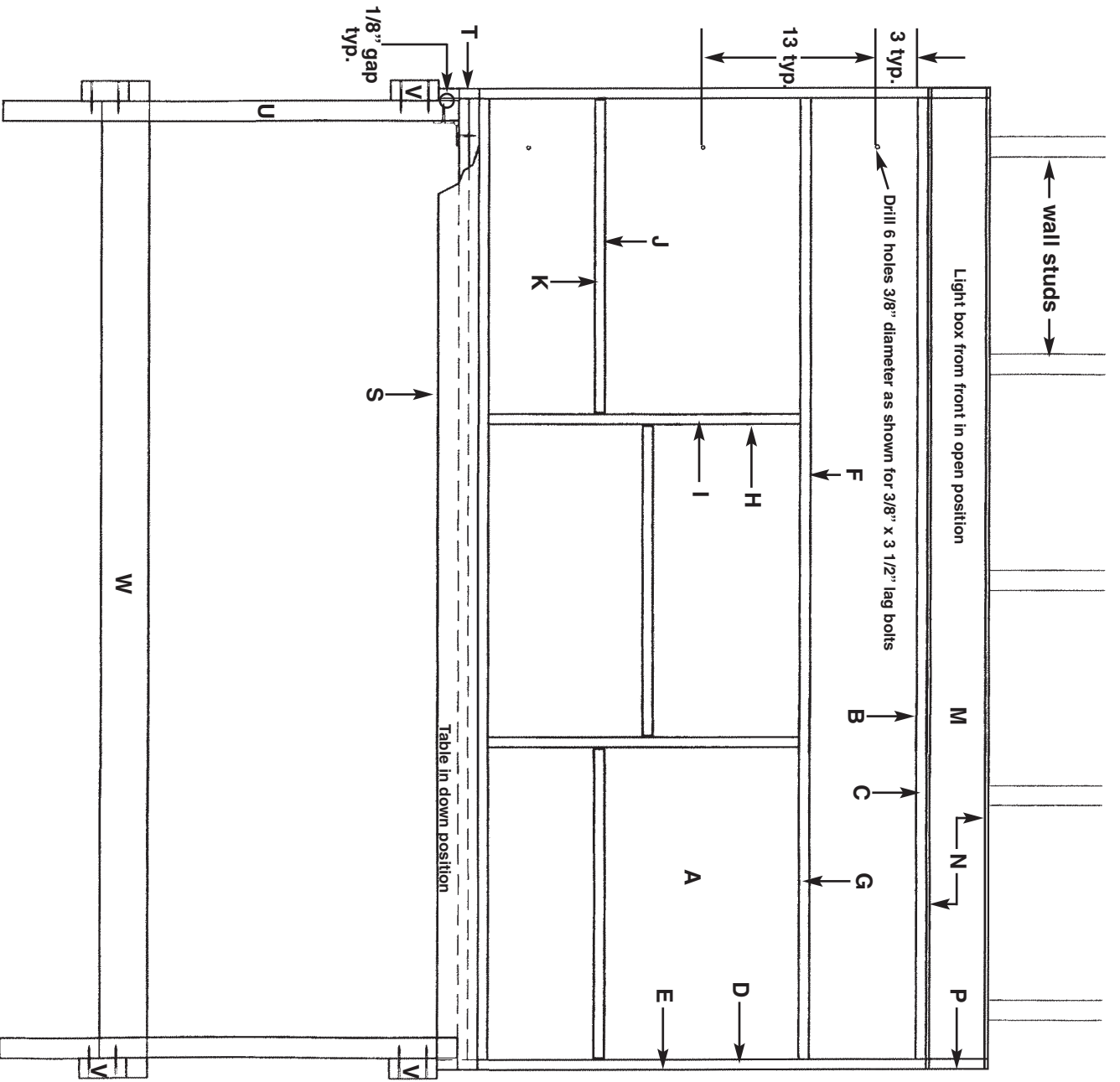


Figure 1
Front View

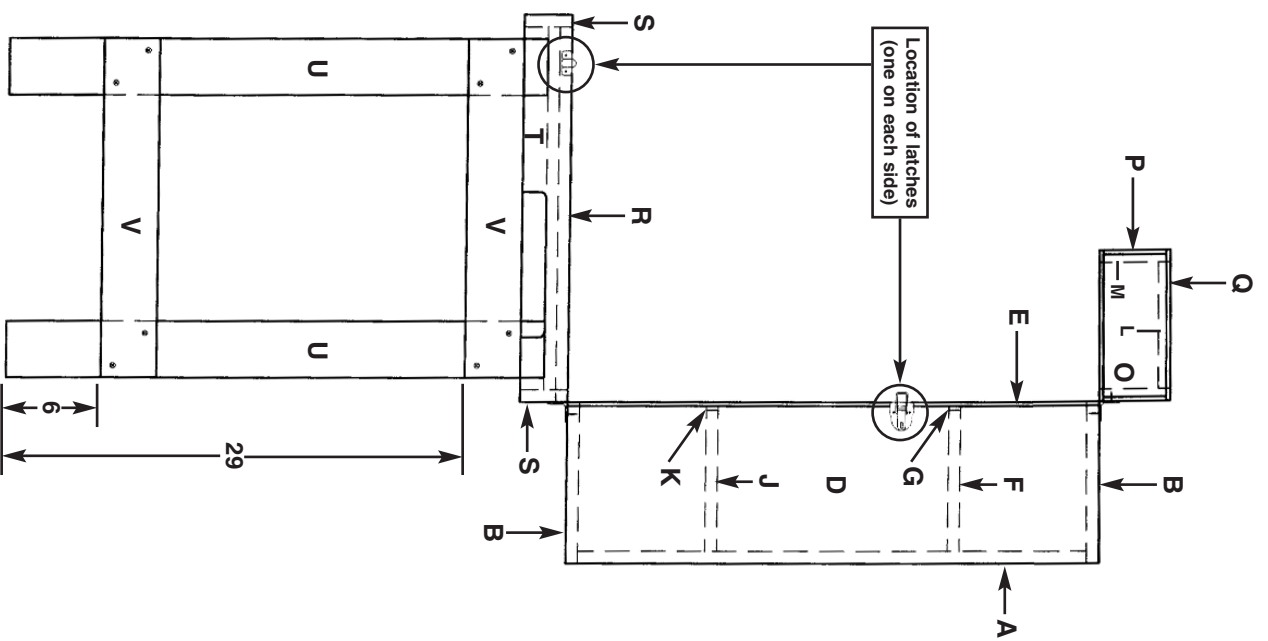


Figure 2
Side View

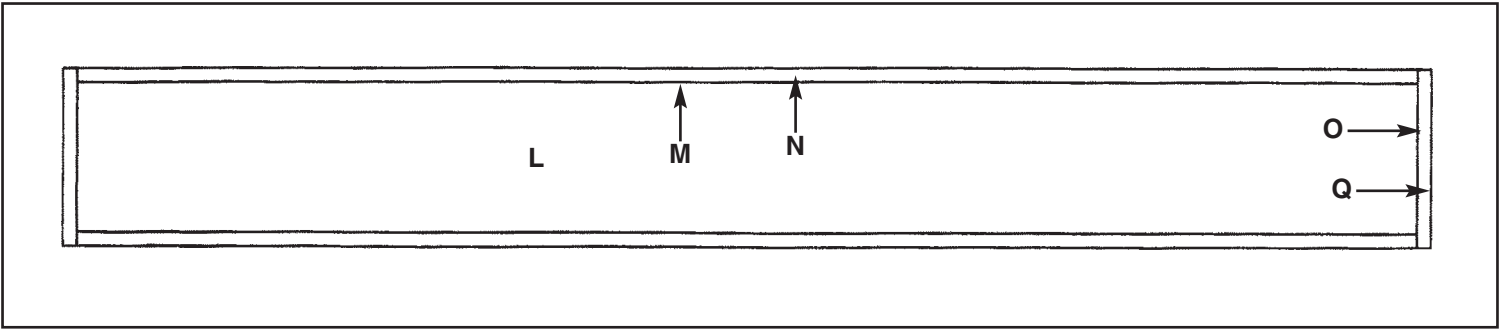


Figure 3
Light Box
(bottom view)

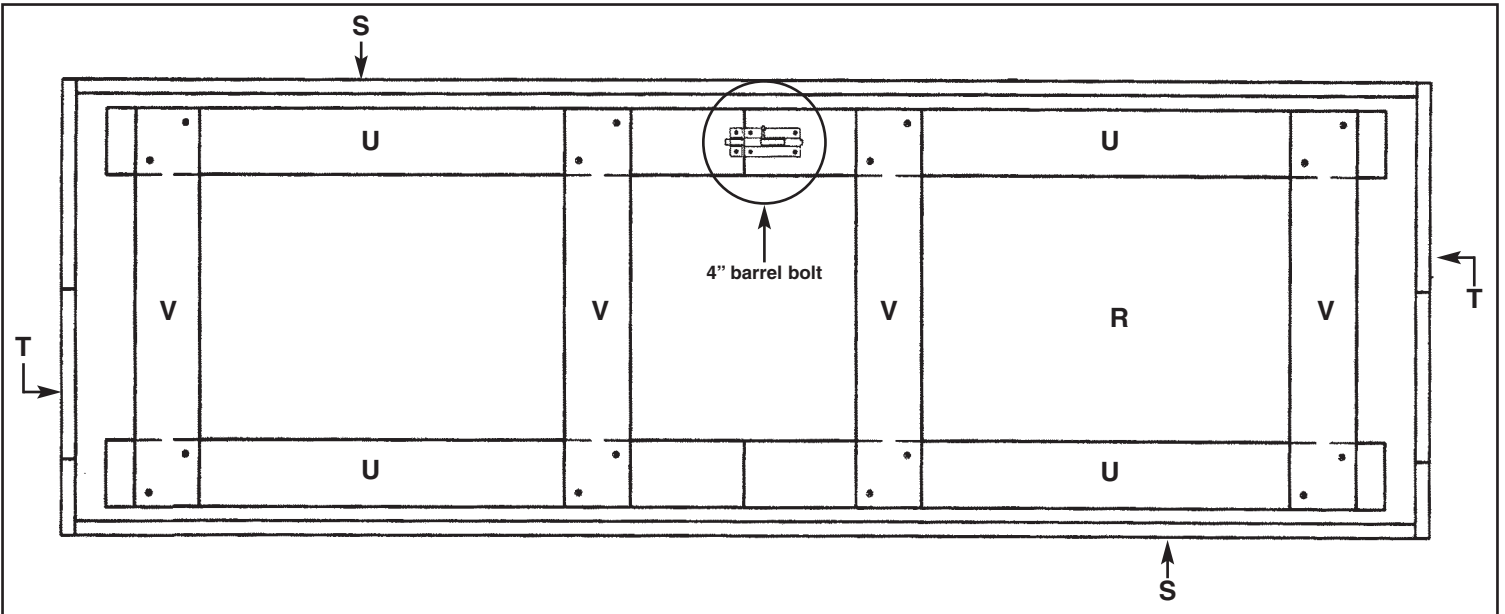


Figure 4
Table Assembly
(folded position)

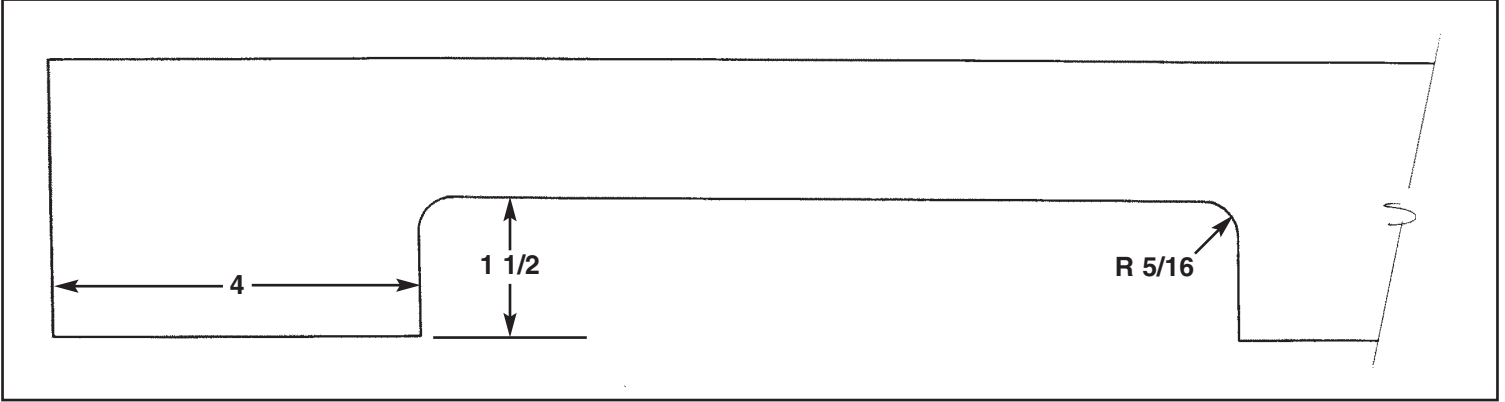


Figure 5
Board T

Assembly Instructions

Page One

Read all instructions before beginning any work. Cut all material to sizes shown in cutting schedule.

1. Attach edge trim (C), (E), (G), (I), (K), (N), (P), and (Q) to boards (B), (D), (F), (H), (J), (M) and (O) using glue and 3/4" finish nails. Refer to Pictorial and Figures 1 and 2.

2. Drill 3/16" holes (for shelf supports) on both sides of boards (H) and on the inside of boards (D). Refer to Figure 6.

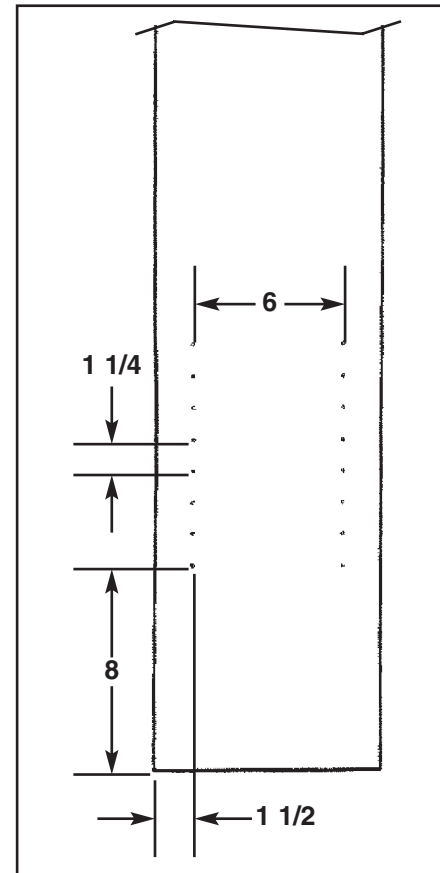


Figure 6
Hole Pattern Diagram
(Boards D and H)

3. Attach top and bottom subassemblies (B, C) to board (A) using glue and 1 1/4" finish nails. Refer to Pictorial and Figures 1 and 2.
4. Attach sides (D, E) to subassembly (A, B, C) using glue and 1 1/4" finish nails. Check for squareness. Refer to Pictorial and Figures 1 and 2.
5. Using vertical dividers (H, I) as placement guides, attach shelf (F, G) to cabinet using glue and 1 1/4" finish nails. Check for squareness. Refer to Pictorial and Figures 1 and 2.
6. Using a square and shelves (J, K) as placement guides, attach vertical dividers (H, I) to cabinet using glue and 1 1/4" finish nails. Refer to Pictorial and Figures 1 and 2.

Assembly Instructions

Page Two

Read all instructions before beginning any work. Cut all material to sizes shown in cutting schedule.

7. Attach light box sides (M, N) to light box top (L) using glue and 1 1/4" finish nails. Refer to Pictorial and Figures 1 through 3.
8. Attach ends of light box (O, P, Q) to subassembly (L, M, N) using glue and 1 1/4" finish nails. Check for squareness. Refer to Pictorial and Figures 1 through 3.
9. Using glue and 1 1/4" finish nails, fasten boards (R) together back-to-back (veneer side out) to create one, 1 1/2"-thick sheet for the bench top.
10. Cut notches in boards (T). Refer to Figure 5.
11. Attach boards (S) and (T) to the edges of the bench top (R) using glue and 1 1/4" finish nails. Refer to Pictorial and Figures 1, 2 and 4.
12. Sand and apply finish to all parts, including leg boards (U), (V) and (W).
13. Attach light box to cabinet using piano hinge. Refer to Pictorial and Figure 2. Install lid supports. If using lid supports from U-Bild Space-Saver Workbench Hardware Kit (No. 916HK), refer to Figure 7.

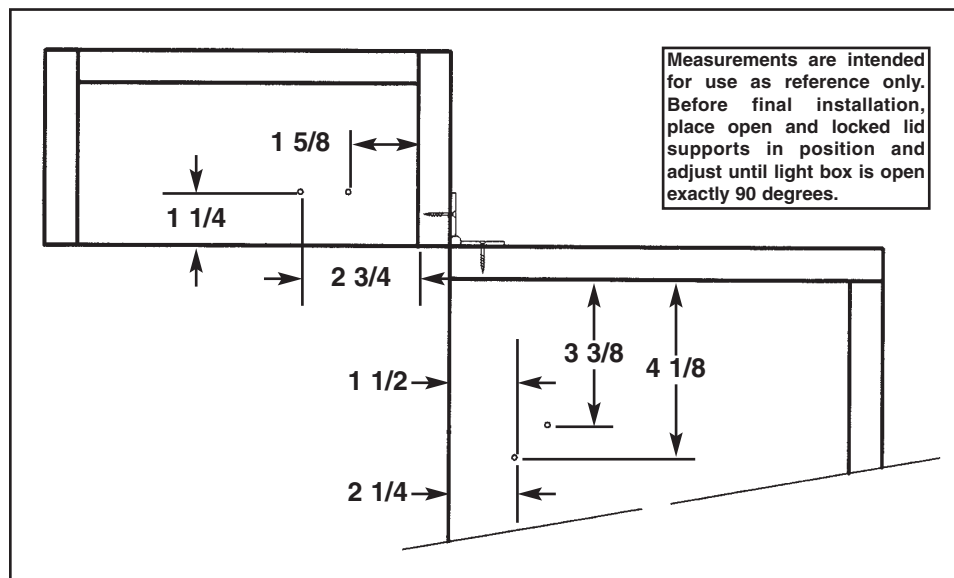


Figure 7
Lid Support Installation Guide

14. Install fluorescent light fixture in light box.

Assembly Instructions

Page Three

Read all instructions before beginning any work. Cut all material to sizes shown in cutting schedule.

15. Attach bench top assembly (R, S, T) to cabinet using piano hinge. Refer to Pictorial and Figure 2.

16. Install latches on each side of cabinet and bench top assembly. Refer to Figure 2 for position.

17. Assemble leg boards (U) and (V) using glue and #8 x 2 1/2" wood screws. Refer to Pictorial and Figures 1, 2 and 8. Check for squareness.

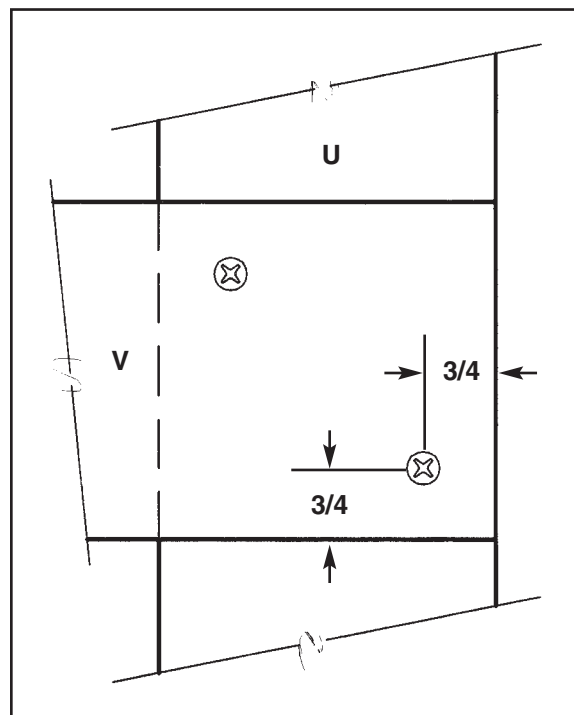


Figure 8
Leg Screw Locations

18. Attach leg assemblies (U, V) to bottom of table using 3" butt hinges. Leave a 1/8" gap between boards (U) and (T) when legs are in the open position. Refer to Figure 1.

19. Install a 4" barrel bolt to hold the legs in the closed position. Refer to Figure 4 for position.

20. Cut notches in cross-brace boards (W) to fit boards (V). Refer to Pictorial and Figure 1.

21. With bench top and legs in open position, attach cabinet to wall studs using 3/8 x 3 1/2" lag bolts. Refer to Figure 1. Make sure legs are touching floor and bench top is level.