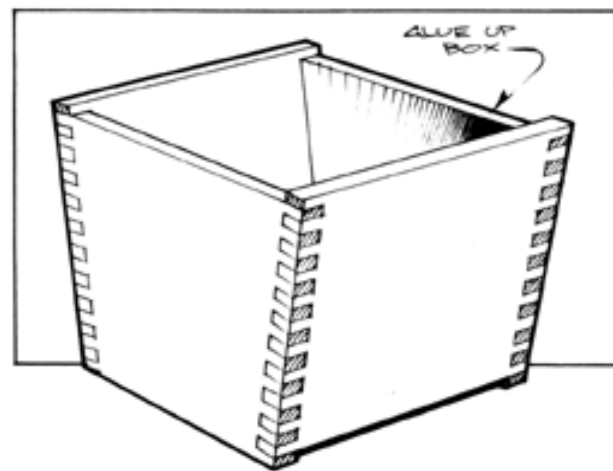
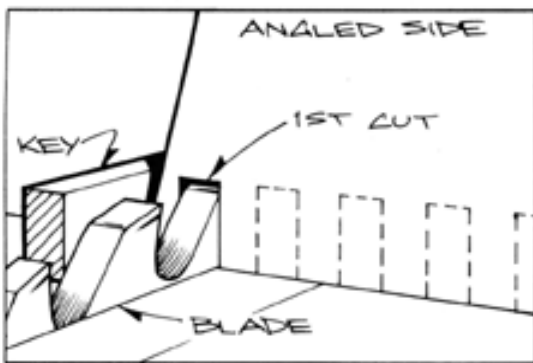
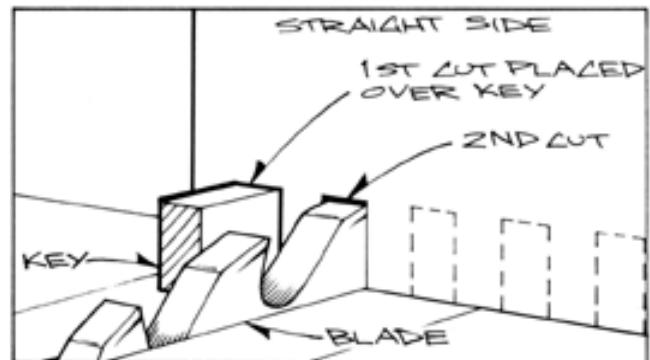
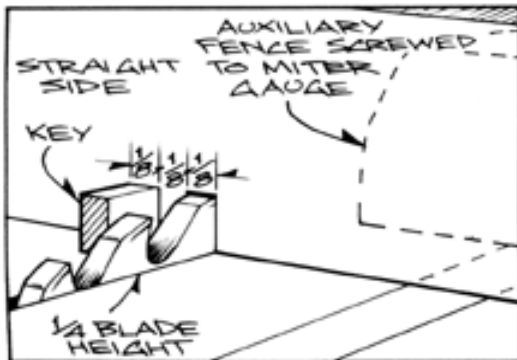
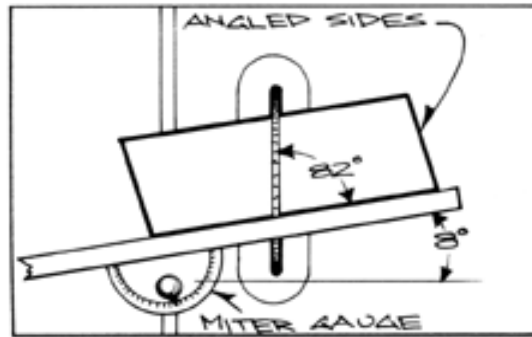
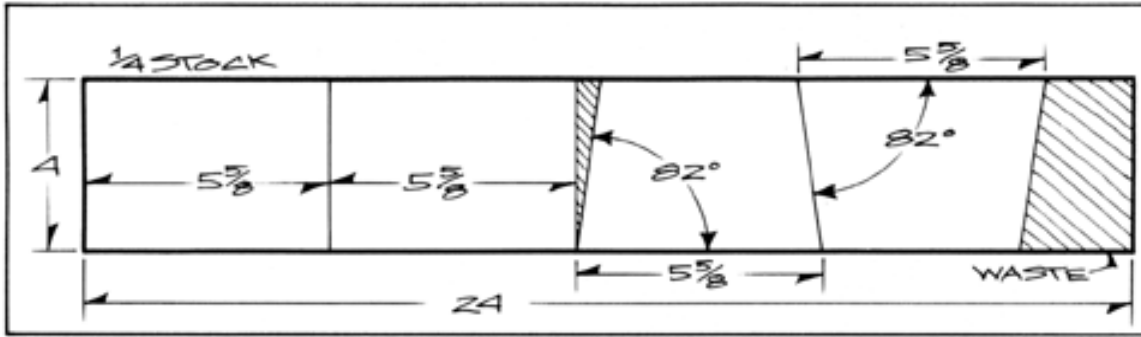
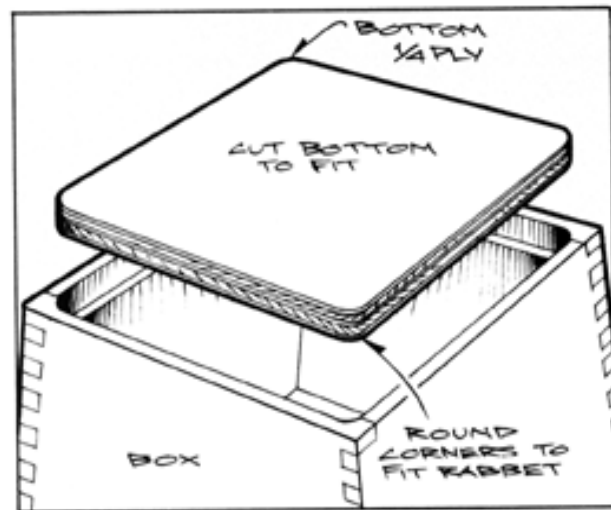
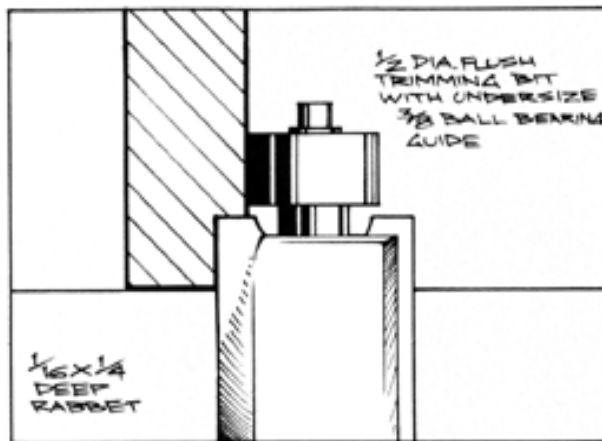
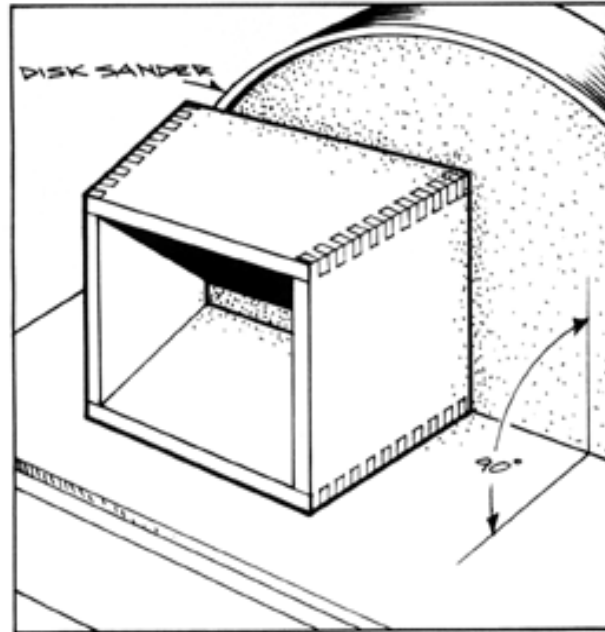
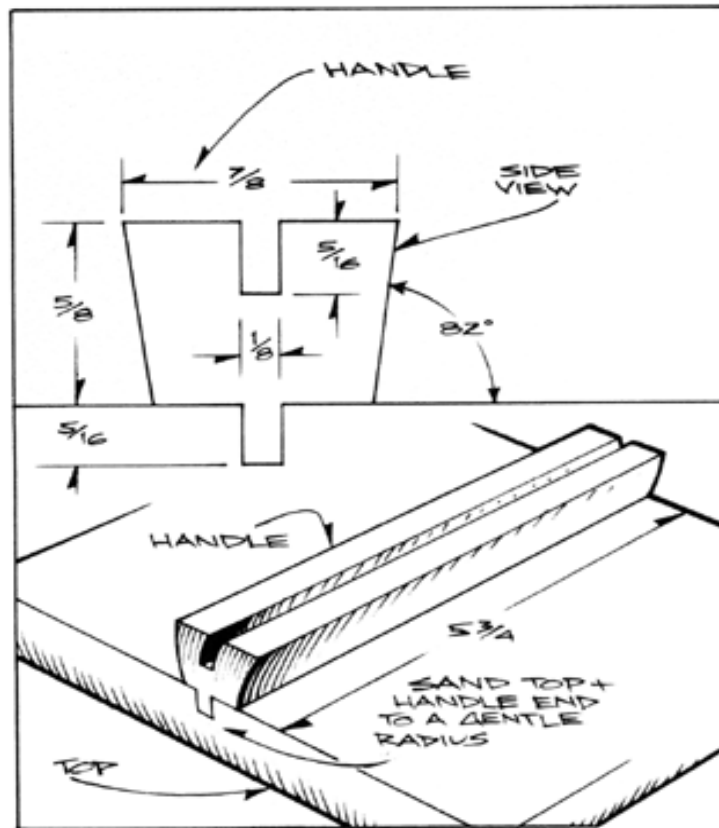
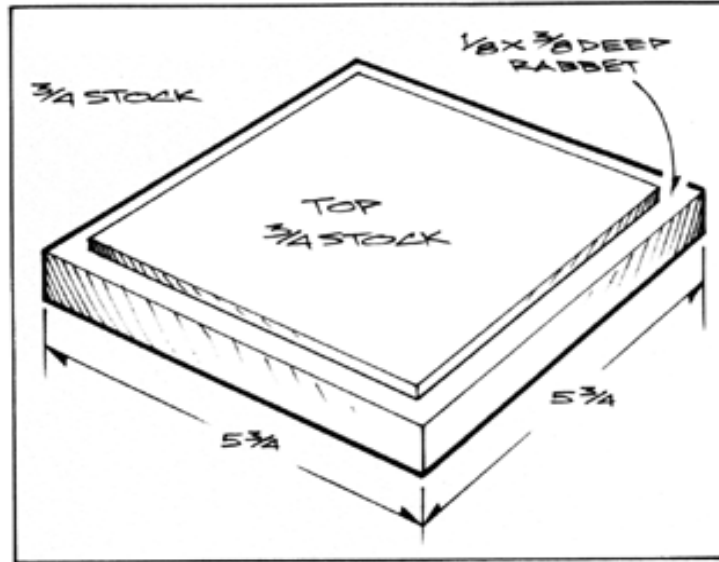


Project 15193EZ: Recipe Box

This recipe box combines a handy built-in recipe card holder with fool-the-eye slanting sides. While the sides make this recipe box look like a project that involves some rather complex compound angles, there are, in fact, no compound angles. As only two sides of the box slant, the angles involved are simple.







Recipe Box Step-by-Step Instructions

1. Use a single board measuring 1/4" thick by 4" wide by 24" long to make all four box sides.
2. Cut the two square sides off at 5-5/8" length.

3. Angle the miter gauge to 8 degrees.
4. Cut the two slanted sides. **NOTE: You'll need to flip the stock to get the angle on the ends.**
5. Cut a 1/8" thick x 1/4" wide x 2" long key to begin making the jig necessary for cutting the box joints.
6. Cut a like-sized notch in an auxiliary fence.
7. Attach the auxiliary fence to the miter gauge.
8. Test your jig setup on some scrap and make a test assembly of the joint produced before going to work on your project stock.
9. Use the jig with a regular table blade and cut a 1/8" wide kerf needing 1/8" pins (Steps 2A-2C).
10. Use the same jig to cut the box joints on the slanted sides.
11. Glue up the four sides and set aside to dry (Step 3A). **NOTE: A pair of sides will be a pin above or below the other pair, but that's not a concern since the excess will be cleaned up in the next step.**
12. Use a belt or a disk sander to flatten the top and bottom of the box (Step 3B). Move to the router table to establish the rabbet for the 1/4" thick plywood bottom.
13. Mount a 3/8" diameter bearing on a 1/2" diameter flush trimming bit to make a bit that will cut a 1/16" deep rabbet (Step 4).
14. Borrow a 3/8" diameter ball bearing from another bearing-guided cutter to replace the regular 1/2" diameter bearing on the flush trimming bit.
15. Cut the plywood bottom to fit.
16. Round the corners of the bottom to match the 1/4" radius.
17. Glue the bottom securely in place (Step 5).
18. Cut the top to size.
19. Establish the 1/8" x 3/8" rabbet that nests the top over the sides of the box (Step 6).
20. Cut the handle to size as shown.
21. Rip the 1/8" wide by 5/16" deep grooves in the handle and top.
22. Establish the matching tongue on the bottom edge of the handle (Step 7).
23. Glue the handle into the top.
24. Round the edges of the top and handle.
25. Apply the finish.

These plans were originally published in Volume 15, Issue 5 of *The Woodworker's Journal* (Sept/Oct. 1991, pages 64-66).