



Project 19178EZ: 4 x 4 Off Roader

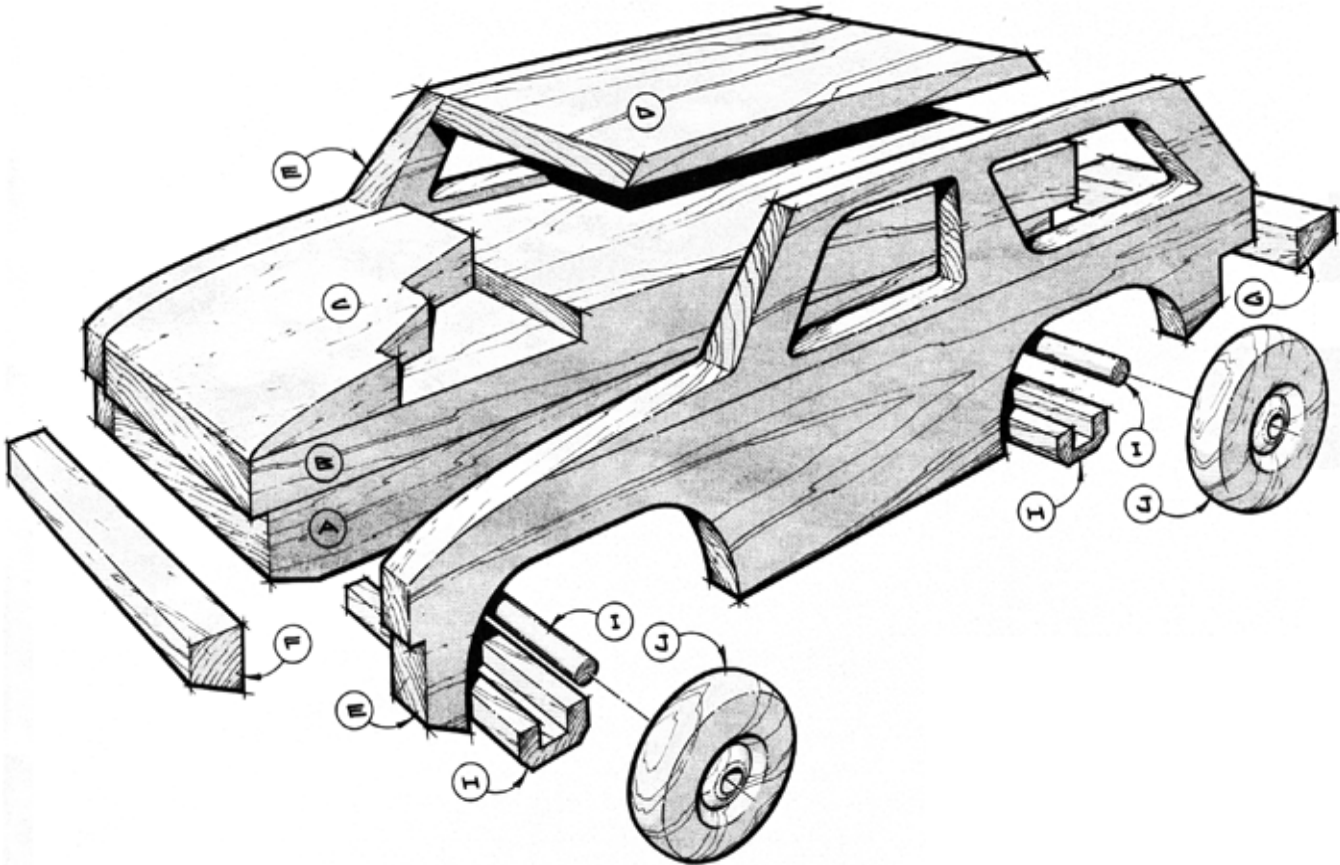
With the increasing popularity of 4-wheel drive off-road vehicles, it was only a matter of time before we came out with our “wood” version. The scale of this toy is fairly accurate, so the finished product looks very much like a real 4 x 4. In fact, you may be a bit reluctant to hand this fine looking toy over to junior. Don’t worry though, it’s built tough and will take punishment, just like the genuine article.

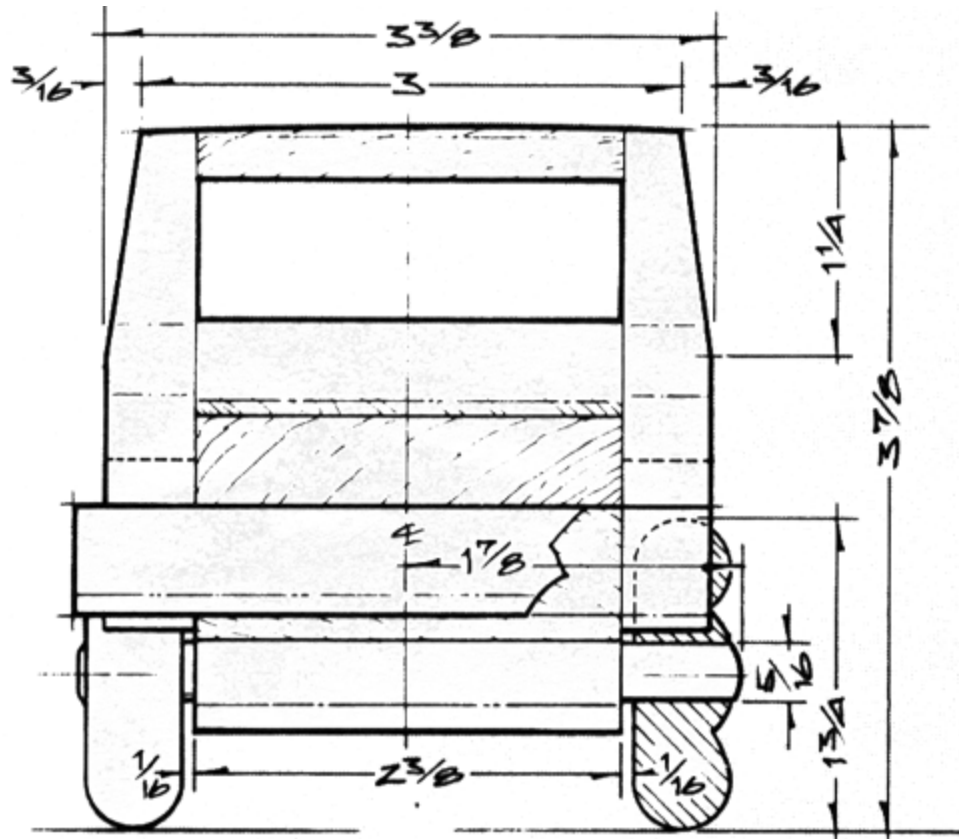
We built our 4 x 4 using cherry and walnut, but most any wood will do. It is best to select a dark wood for the blocks (A and B), as this will lend the wheel wells and grill an authentic look.

4 x 4 Off Roader Materials List

Part	Description	Size	No. Req'd
A	Lower Back	3/4" x 2-3/8" x 8"	1
B	Upper Back	3/4" x 2-3/8" x 8-5/8"	1
C	Hood	1/2" x 2-3/8" x 2-1/2"	1
D	Top	1/4" x 2-3/8" x 5"	1
E	Sides	1/2" x 2-3/4" x 8-1/2"	2
F	Front Bumper	1/2" x 5/8" x 3-3/4"	1
G	Rear Bumper	5/8" x 3/4" x 3-3/4"	1
H	Axle Block	1/2" x 3/4" x 3-3/4"	2
I	Axle	5/16" dia. x 3-3/4" dowel	2
J	Wheel	1-3/4" dia. x 9/16" thick	4

4 x 4 Off Roader Complete Schematic





FRONT VIEW

4 x 4 Off Roader Step-by-Step Instructions

1. Cut the stock for part A about 8-1/2" long to accommodate the notches to accept the bumpers later on.
2. Cut part B to size.
3. Cut out stock for the hood (C), top (D), sides (E), bumpers (F and G), and the axle blocks (H). **NOTE: Cut these parts square since you will be shaping after assembly.**
4. Use the dado head to cut the notch in part B to accept the hood.
5. Use the dado head to cut the axle grooves in parts H.
6. Chamfer the axle block edges as shown.
7. Hot glue together the two 1/2" thick side pieces temporarily.
8. Transfer the illustrated grid pattern to the sides.
9. Use a saber or jig saw to cut both pieces out at the same time.
10. Drill a starter hole to begin making the window cutouts.
11. Use the jig or saber saw to cut out the windows.
12. Cut the profiles for the bumper notches.
13. Separate the two sides.
14. Glue the two blocks (A and B) together.
15. Add the sides, positioning them so the upper block protrudes 1/8" at the front, giving the appearance of a grill.
16. Glue the hood and top in place.
17. Sand to shape as shown.
18. Use a plane to bevel the sides at the top.
19. Use the table saw dado head to cut back bumper notch to 3/8" wide and the front bumper notch to 1/4" wide.
20. Glue both bumpers in place and flush their lower edges to continue the angled undercarriage profile, front, and rear.
21. Add the axle blocks and mount the wheels and axles. **NOTE: Since there is little clearance on either side of the wheel wells, axle block position is important, and you must watch out for slippage along the axle block glue lines.**
22. Sand the 4 x 4 thoroughly, breaking all sharp edges.
23. Leave the toy unfinished.

These plans were originally published in Volume 9, Issue 6 of *The Woodworker's Journal* (Nov./Dec. 1985, page 44).

