

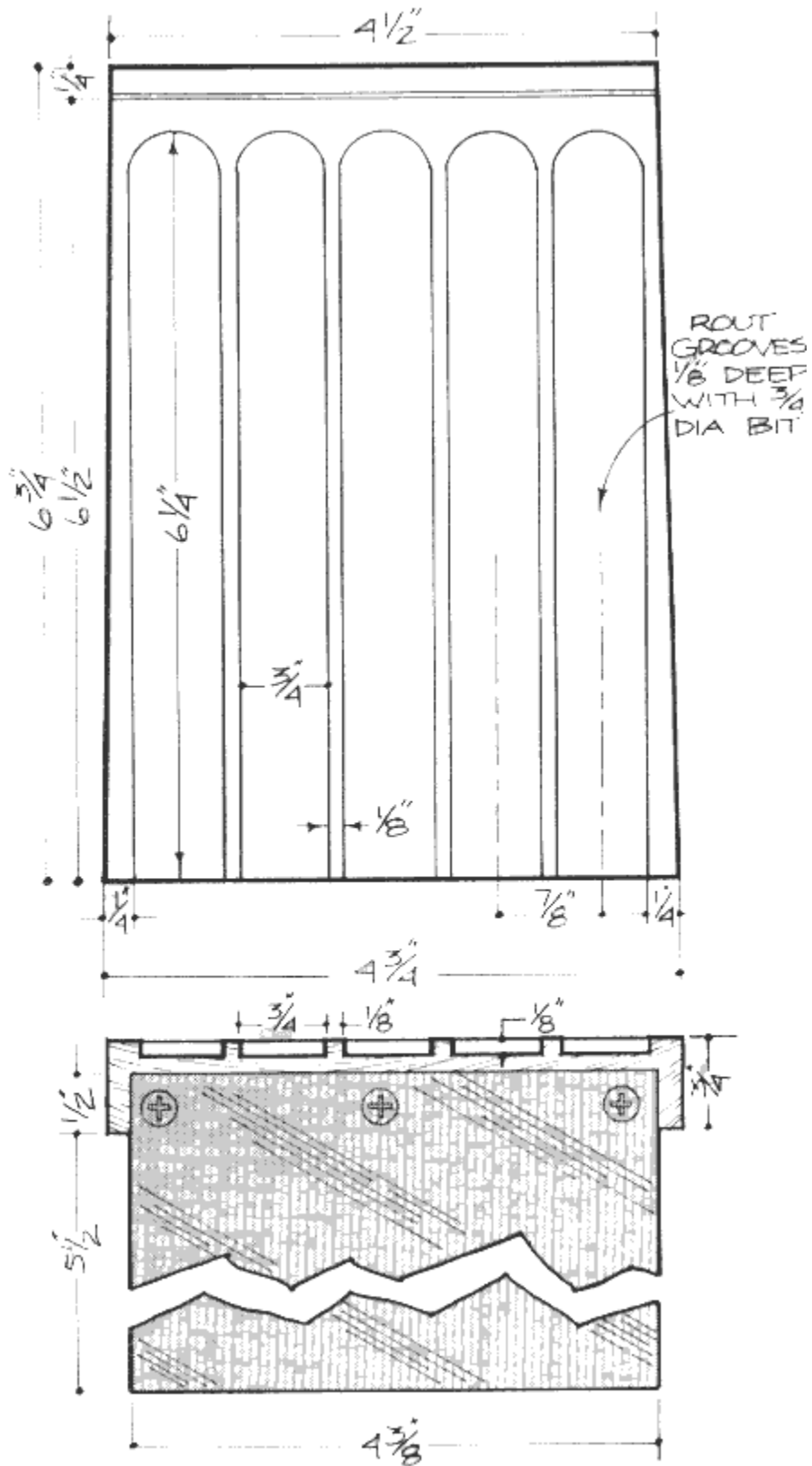


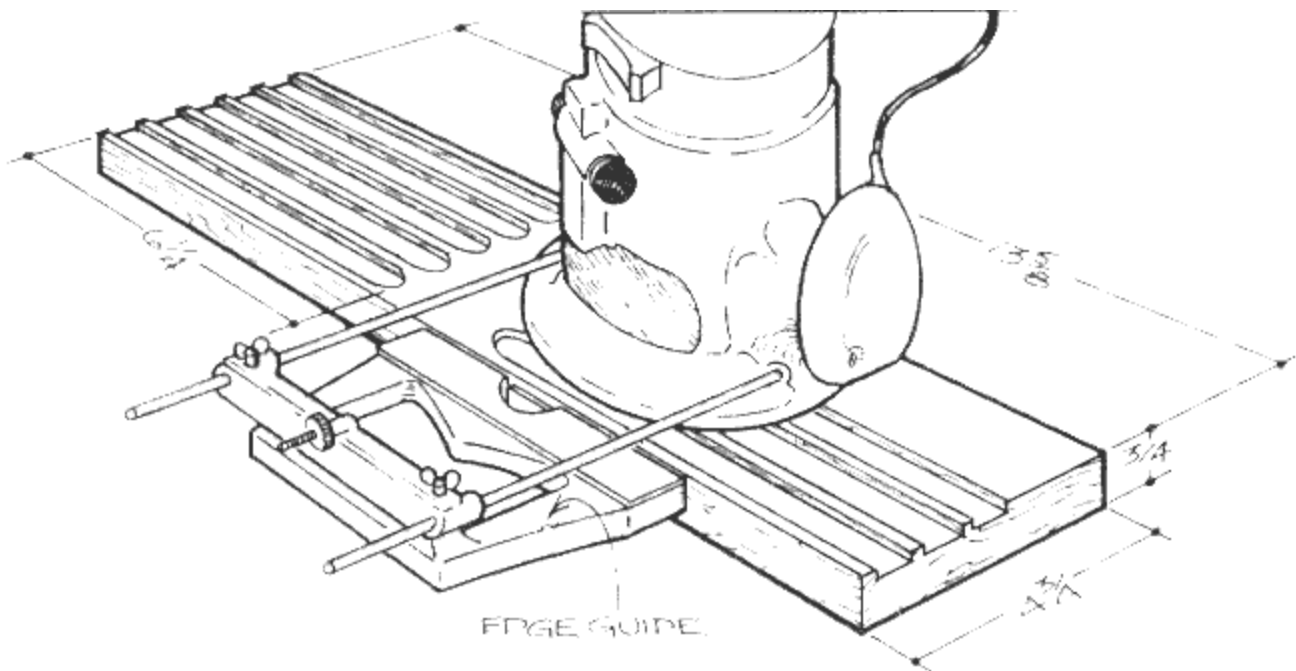
## Project 13653EZ: Routed Bookends

*If you have received a router as a Christmas gift, here is a simple project that will enable you to break in that new router, and at the same time create an attractive pair of bookends.*

*Although you may use the router table and a stop block to cut the decorative slots in the faces of the bookends, it is easier to simply use the edge guide for this operation, as shown.*

# Routed Bookends Figures





## Routed Bookends Step-by-Step Instructions

1. Equip yourself with the following:
  - A 3/4" straight bit
  - A V-groove bit
  - The edge-guide
  - A single 3/4" thick board that measures 4-3/4" wide by just over 13-1/2" long.
2. Lay out the location of the routed slots on the board: the 6-1/4" long slots placed 1/8" apart and the outer slots 1/4" from the sides. **NOTE: The centerlines of the slots are 7/8" apart.**
3. Set the router depth to 1/8".
4. Rout the slots in from the board ends, readjusting the edge guide as necessary to make the different slots.
5. Cross-cut the board in half.
6. Set the V-groove bit at a 1/16" depth.
7. Use the edge guide to rout the horizontal V-groove detail 1/4" down from the bookend top.
8. Use a hand plane to apply a slight taper along the bookend sides so that the top is 1/4" narrower than the bottom.
9. Make the bookend bases for 20-gauge sheet steel cut 4-3/8" wide x 6" long.
10. Use a chisel to mortise the bookend bottoms as shown.
11. Drill through the bases and screw them into place with three flathead wood screws. Countersink the screw heads so they are flush with the bottom.
12. Apply a generous amount of penetrating oil to finish.

---

These plans were originally published in Volume 9, Issue 1 of *The Woodworker's Journal* (Jan./Feb. 1985, page 46).